

# "S" SERIES - Smallest Sealed Glass MIL Trimmer Capacitors

Voltronics "S" Series are up to 40 % shorter with 25% more range than any other sealed standard glass P.C. trimmers. The use of Voltronics' unique non-rotating piston design provides linear tuning, high "Q", long life, and high self-resonant frequencies. The O-ring seal assures protection up to 40 p.s.i. against dust, moisture, flux, solder, and cleaning solvents.

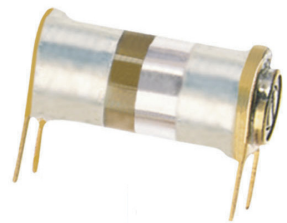


FIGURE 1

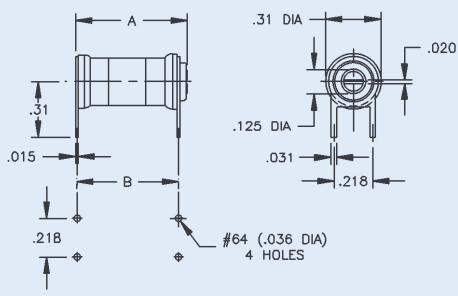


FIGURE 2

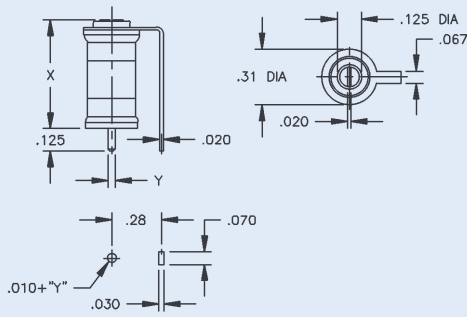
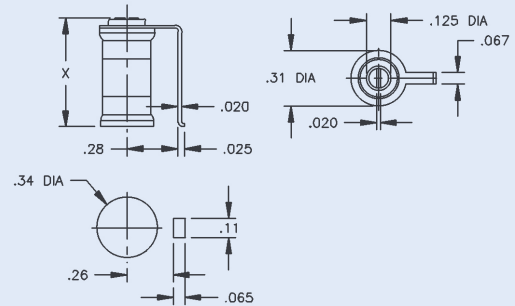


FIGURE 3



Dielectric	Capacitance Range (pF)		Q (Min.) at 1 MHz	Horizontal Mount Figure 1		Vertical Mount* Figure 2		Surface Mount Figure 3		
	From Below	To Above		Type	A ± .06	B ± .03	Type	X ± .03	Type	X ± .03
ANNULAR BAND GLASS	1.0	5.5	1000	SP6	.420	.350	SF6A	.390	SM6	.390
	1.0	8.5	650	SP8	.575	.505	SF8A	.535	SM8	.535
EMBEDDED BAND GLASS	1.5	10	800	SP10	.370	.300	SF10A	.34	SM10	.340
	1.5	20	800	SP20	.440	.370	SF20A	.410	SM20	.410
	1.5	30	800	SP30	.520	.450	SF30A	.490	SM30	.490
	1.5	40	800	SP40	.630	.560	SF40A	.600	SM40	.600

"Y" dimension-standard - .040". For non-standard, change "A" in type number to "B" for .063" or "C" for .093".  
 \*SF styles available with dual leads from top similar to AF styles on A & E Series page.

- General specifications on "Glass & Quartz General Specifications" page apply except:
1. DC Working Voltage: 250
  2. Tuning torque: 0.5 to 5 inch ounces
  3. Tolerance: XXX ± .005

IN	MM	IN	MM
0.005	0.13	0.340	8.64
0.010	0.25	0.350	8.89
0.015	0.38	0.370	9.40
0.020	0.51	0.390	9.91
0.030	0.76	0.410	10.41
0.031	0.79	0.420	10.67
0.036	0.91	0.440	11.18
0.040	1.02	0.450	11.43
0.063	1.60	0.490	12.45
0.067	1.70	0.505	12.83
0.070	1.78	0.520	13.21
0.093	2.36	0.535	13.59
0.125	3.18	0.560	14.22
0.218	5.54	0.575	14.61
0.28	7.11	0.600	15.24
0.30	7.62	0.630	16.00
0.31	7.87		