

# Small Size - High Voltage with Options for Split Stator and Differential Tuning

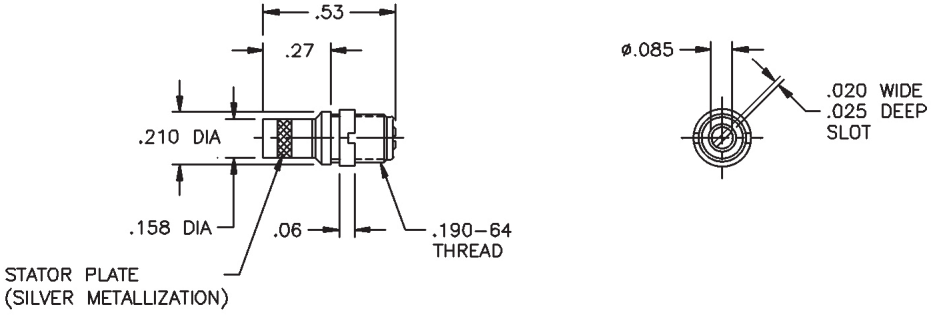
## GENERAL SPECIFICATIONS

Q at 100 MHz at maximum rated C	2000
Temperature Coefficient	50±50ppm/°C
Insulation Resistance	10 <sup>6</sup> megohms
Operating Temperature	-65 °C to +125 °C
Rotational Life	10,000 turns
Torque	0.5-5.0 in-oz
Vibration	50g, 10-2000Hz
Shock	1500g, 0.5 milliseconds
Drawing tolerances where not specified	xxx±.005 xx±.016

## STANDARD SAPPHIRE TRIMMERS

Part Number	KZ3	KZ7
Capacitance	0.3 to 3pF	0.6 to 7pF
DC Working Voltage	1500	1000
DC Withstanding Voltage	3000	2000

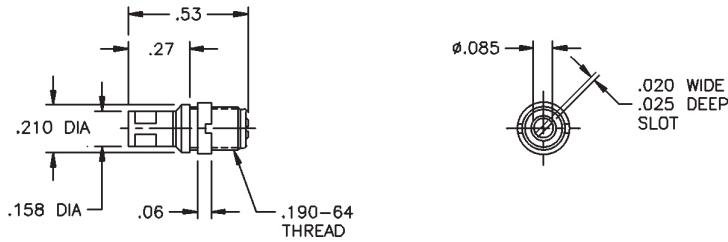
KZ3  
KZ7



## SPLIT STATOR SAPPHIRE TRIMMERS

Capacitance pF						
	Plate/Plate		Plate/Bushing		DC Working Voltage	DC Withstanding Voltage
	Min.	Max.	Min.	Max.		
<b>KZ2S</b>	0.3	1.0	0.3	2.0	2000	4000
<b>KZ3S</b>	0.3	1.5	0.3	3.0	2000	4000

**KZ2S  
KZ3S**



## DIFFERENTIAL SAPPHIRE TRIMMERS

Capacitance pF						
	C1		C2		DC Working Voltage	DC Withstanding Voltage
	Min.	Max.	Min.	Max.		
<b>KS3D</b>	1.0	3.0	1.0	3.0	1000	2000

**KS3D**

