

"H" SERIES - Extended Range Glass Trimmer Capacitors

FIG. 1

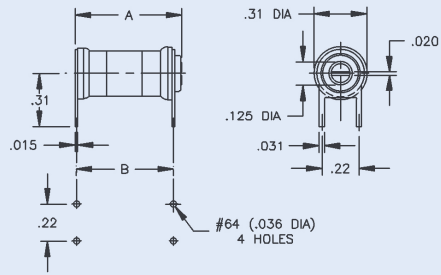


FIG. 2

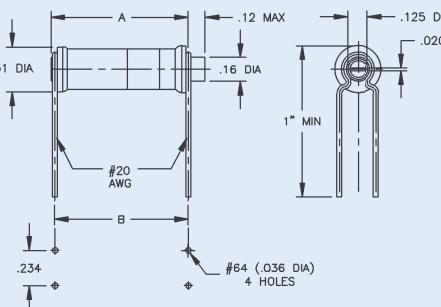


FIG. 3

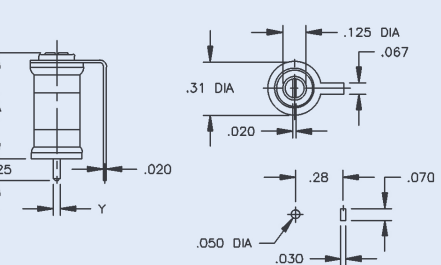


FIG. 4

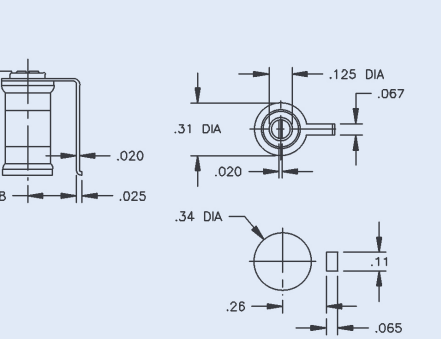
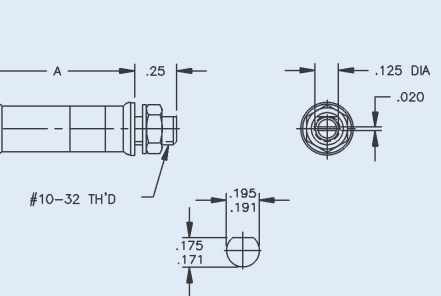


FIG. 5



The "H" Series increases the standard maximum capacitance values of Voltronics' glass trimmer capacitors by almost 100%. This is achieved by a new and unique technique which makes the wall of the inner glass tube thinner than was previously possible.

General specifications for the "H" Series are the same as those of standard embedded band glass trimmers (see Glass & Quartz General Specifications page) with the following exceptions:

- DC Working Voltage: 125
- Temperature Coefficient: $-150 \pm 150 \text{ ppm}/^\circ\text{C}$

**HORIZONTAL
PRINTED
CIRCUIT**

Type	Capacitance Range (pF)		Q (Min.) 1 MHz	Fig.	A \pm .06	B \pm .03
	From Below	To Above				
HSP19	2	19	1000	1	.37	.30
HSP34	2	34	900		.44	.37
HSP46	2	46	800		.52	.45
HSP64	2	64	700		.63	.56
HTP96C	2	96	600	2	.91	.88
HTP130C	2	130	500		1.16	1.13
HTP210C	2	210	350		1.75	1.73
HTP250C	2	250	250		1.98	1.95
					A \pm .03	

**VERTICAL
PRINTED
CIRCUIT**

HSF19	2	19	1000	3	.34	
HSF34	2	34	900		.41	
HSF46	2	46	800		.49	
HSF64	2	64	700		.60	

**SURFACE
MOUNT**

HSM19	2	19	1000	4	.34	
HSM34	2	34	900		.41	
HSM46	2	46	800		.49	
HSM64	2	64	700		.60	

**PANEL
MOUNT**

HTM19C	2	19	1000	5	.37	
HTM34C	2	34	900		.45	
HTM46C	2	46	800		.52	
HTM64C	2	64	700		.63	
HTM96C	2	96	600	5	.92	
HTM130C	2	130	500		1.17	
HTM210C	2	210	350		1.77	
HTM250C	2	250	250		2.00	

IN	0.005	0.015	0.020	0.030	0.031	0.036	0.040	0.050	0.06	0.067	0.070	0.12	0.125	0.16	0.171	0.175
MM	0.13	0.38	0.51	0.76	0.79	0.91	1.02	1.27	1.52	1.70	1.78	3.05	3.18	4.06	4.34	4.44
IN	0.191	0.195	0.22	0.234	0.25	0.28	0.30	0.31	0.34	0.37	0.41	0.44	0.45	0.49	0.52	0.56
MM	4.85	4.95	5.59	5.94	6.35	7.11	7.62	7.87	8.64	9.40	10.41	11.18	11.43	12.45	13.21	14.22
IN	0.60	0.63	0.88	0.91	0.92	1.00	1.13	1.16	1.17	1.73	1.75	1.77	1.95	1.98	2.00	
MM	15.24	16.00	22.35	23.11	23.37	25.40	28.70	29.46	29.72	43.94	44.45	44.96	49.53	50.29	50.80	