

# “A4” SERIES - Low Cost Miniature Trimmer Capacitors



The A4 Series unique design using minimal parts simplifies the manufacturing process to effect one of the most economical high performance trimmer capacitors available in the industry.

The A4 Series also features a high reliability solid dielectric, positive tuning stops and up to 5 full turns of linear tuning in the shortest length of any similar trimmer capacitor.

The A4 is an ideal choice for tuning and impedance matching high frequency and high power amplifier circuits.

## GENERAL SPECIFICATIONS

	A4_3	A4_5
Capacitance	0.45-3pF	0.6-5pF
DC Working Voltage	125	125
DC Withstanding Voltage	250	250
Self-Resonant Frequency *	3 GHz at 3pF	1.8 GHz at 5pF
Number of Turns	4	5
Q (min) at 100 MHz @ Max. C *	3,000	2,000
Temperature Coefficient	0±100 ppm/°C	0±300 ppm/°C
Insulation Resistance @ 25°C	10 <sup>6</sup> megohms	
Operating Temperature	-65°C to +125°C	
Tuning Torque	0.3 to 1.0 in-oz	
Shock	1,500g, 0.5 millisecs.	
Vibration	50g at 10-2000 Hz	

\* Self-resonant frequency and Q are measured with no terminals on parts

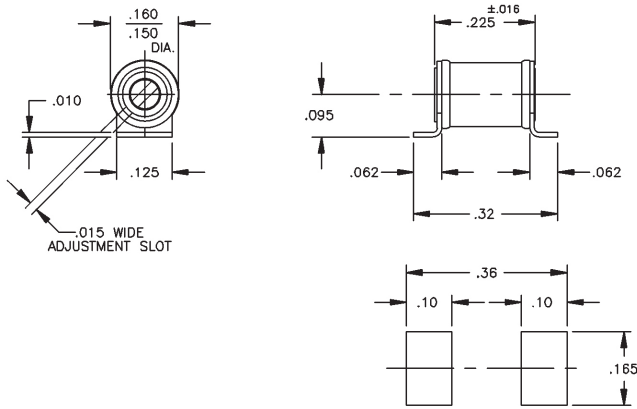
## OPTIONS

<b>High Voltage Option:</b>	Add “HV” to the part number, i.e., A4P3HV		
Specifications are as follows:	DC Volts Working	DC Volts Withstanding	
A4_3	500	1,000	
A4_5	500	1,000	

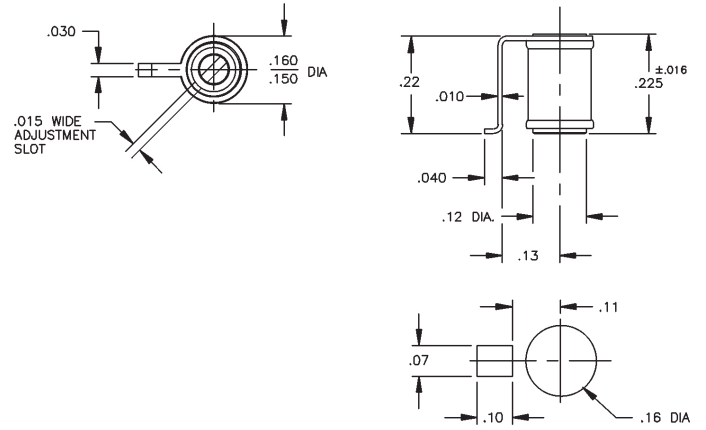
**Non-Magnetic Option:** Most parts shown can be ordered as non-magnetic. Add “NM” to the part number, i.e., NMA4J3.

**Tape & Reel Option:** Consult factory for tape & reel options.

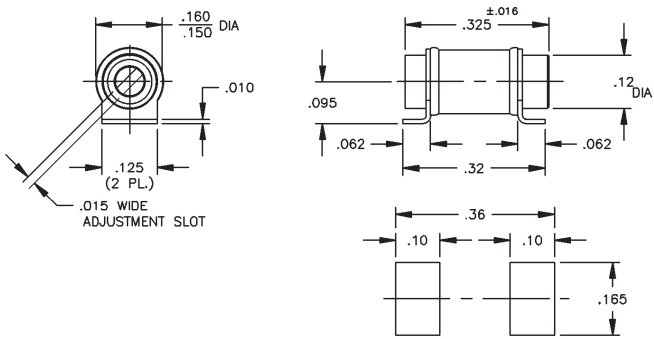
### A4J3



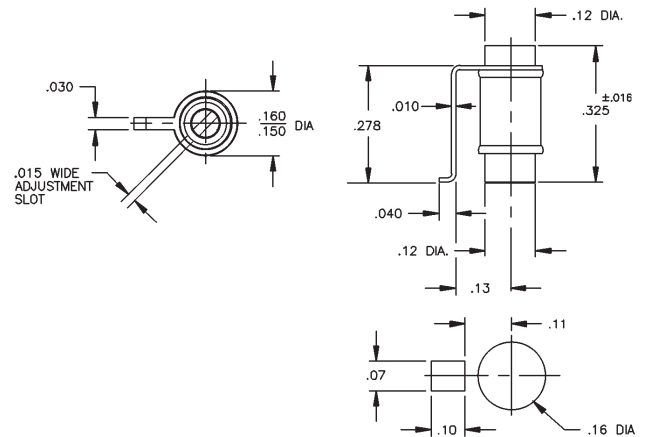
### A4M3



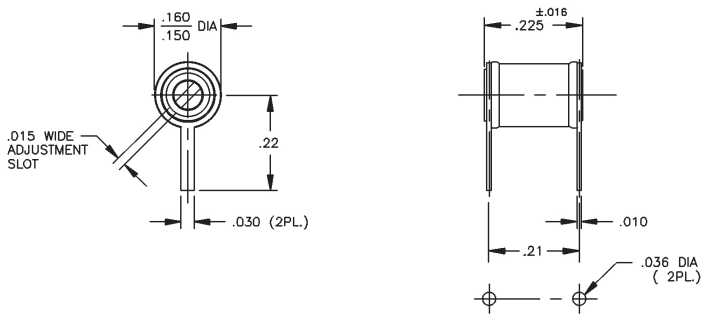
### A4J5



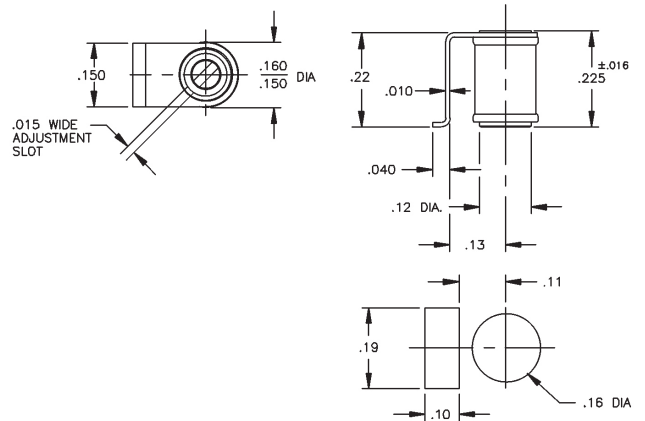
### A4M5



### A4P3



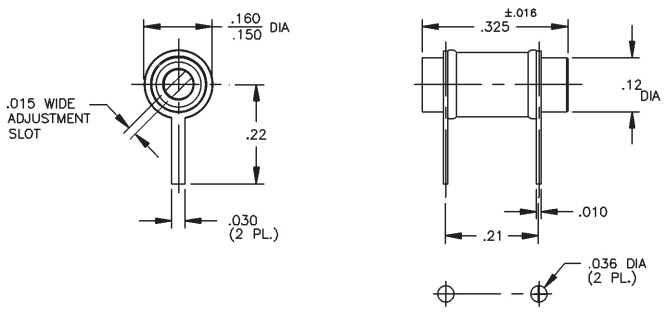
### A4W3



NOTE: Drawing tolerances where not specified  $XXX \pm .005$   $XX \pm .016$

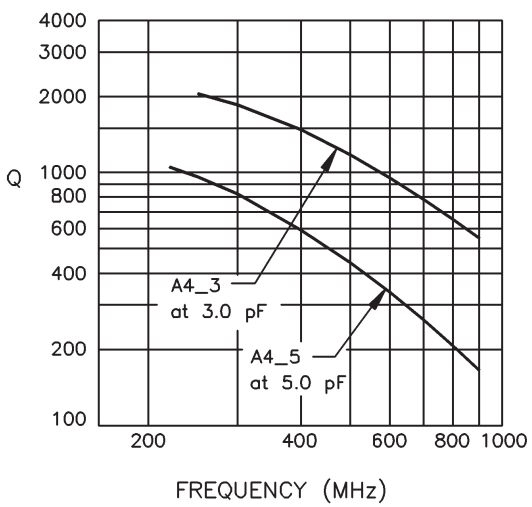
# "A4" SERIES - Low Cost Miniature Trimmer Capacitors

## A4P5



<b>IN</b>	0.010	0.015	0.016	0.030	0.036	0.040	0.062
<b>MM</b>	0.254	0.381	0.406	0.762	0.914	1.016	1.575
<b>IN</b>	0.070	0.095	0.100	0.110	0.120	0.125	0.130
<b>MM</b>	1.778	2.413	2.540	2.794	3.048	3.175	3.302
<b>IN</b>	0.140	0.150	0.160	0.165	0.190	0.210	0.220
<b>MM</b>	3.556	3.810	4.064	4.191	4.826	5.334	5.588
<b>IN</b>	0.225	0.250	0.278	0.290	0.320	0.325	0.360
<b>MM</b>	5.715	6.350	7.061	7.366	8.128	8.255	9.144

## QUALITY FACTOR (Q) OF A4-LINE CAPACITORS



## TUNING TOOLS

Metal Tipped					Metal Tipped				
Part #	Fig.	A	B	Recommended For:	Part #	Fig.	A	B	Recommended For:
TT-400	1	.036	.012	All A4 Series	TT-900	2	.038	.016	All A4 Series

The TT-900 tuning tool is ideal for continual use. It fits into the hand with the rotatable top fixed in the palm. The tip is made of high strength ceramic. Use this tool where metal tip affects tuning.

FIG. 1

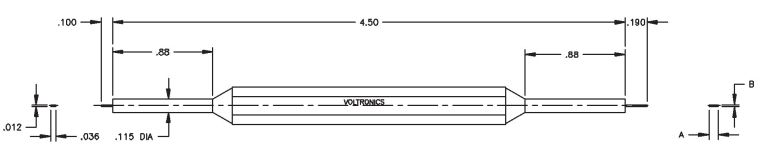


FIG. 2

